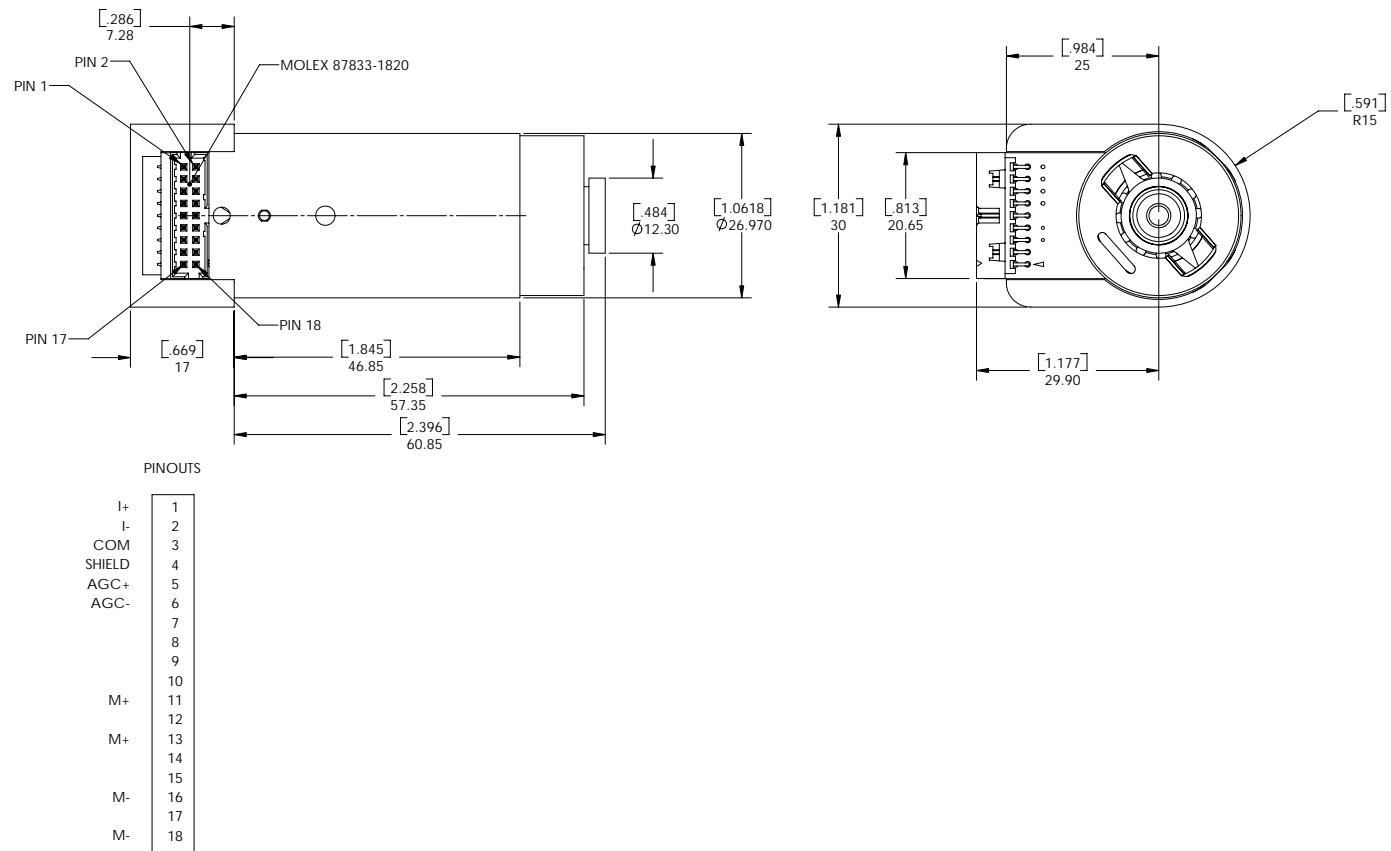


MPM-20A

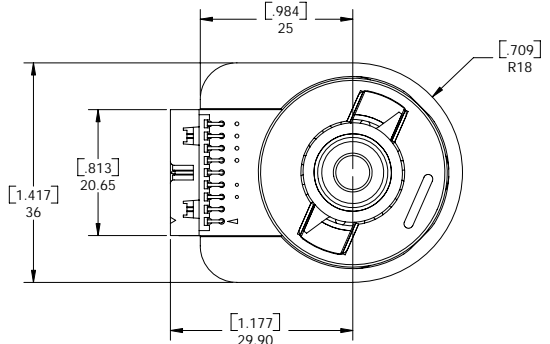
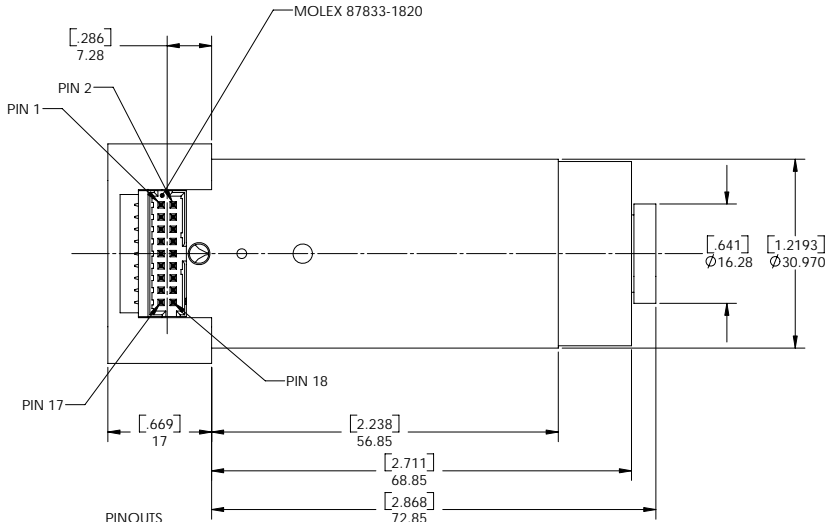
PRELIMINARY



MPM-30A

PRELIMINARY

REVISIONS				
REV.	C. O.	DESCRIPTION	DATE	APPROVED
A	2006-001	DRAWING INITIATED	1/24/2006	



I+	1
I-	2
COM	3
SHIELD	4
AGC+	5
AGC-	6
	7
	8
	9
	10
M+	11
	12
M+	13
	14
	15
M-	16
	17
M-	18