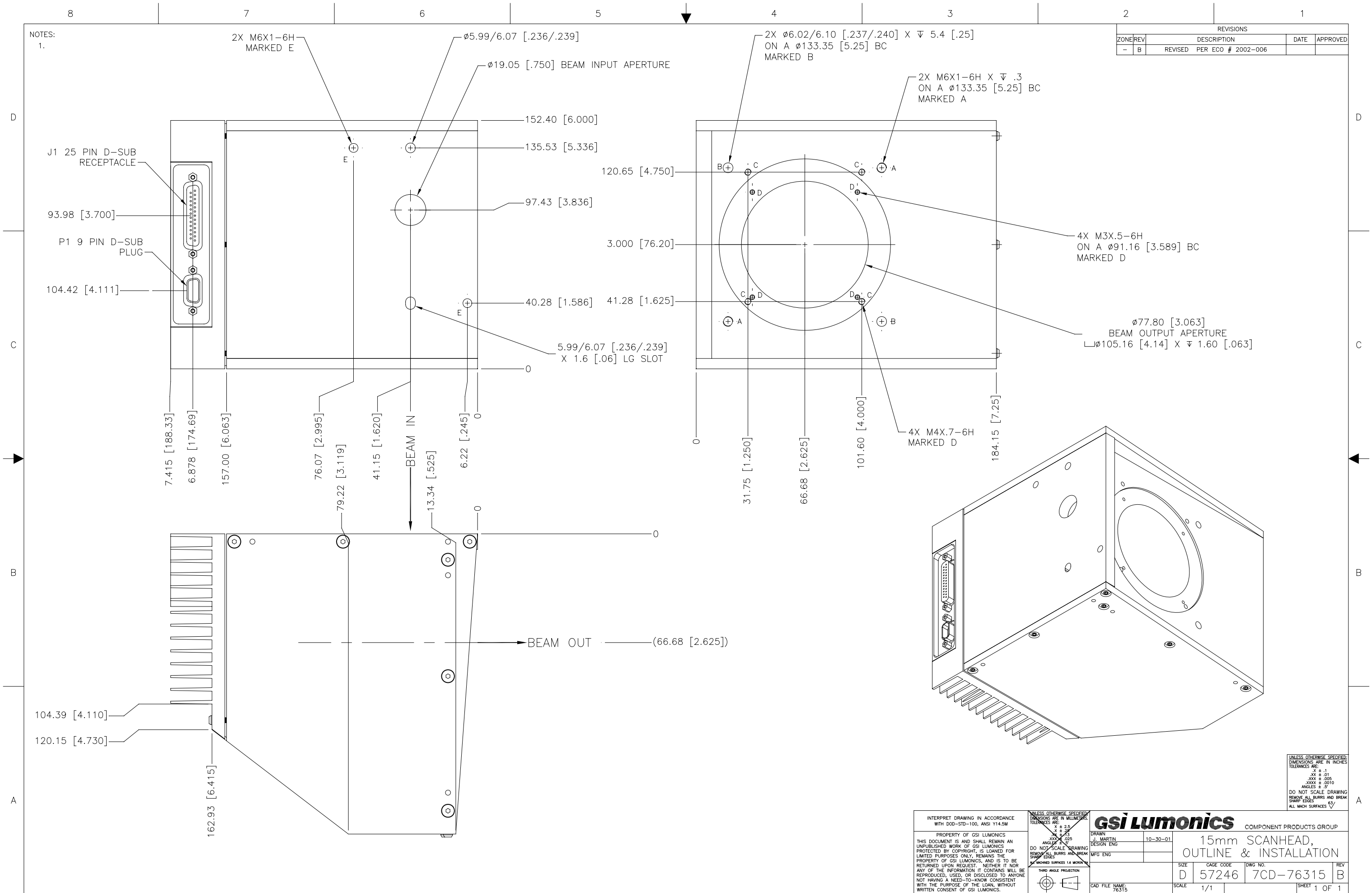


REVISIONS			
ZONE/REV	DESCRIPTION	DATE	APPROVED
- B	REVISED PER ECO # 2002-006		

NOTES:  
1.



UNLESS OTHERWISE SPECIFIED:  
DIMENSIONS ARE IN INCHES  
TOLERANCES ARE:  
.X ± .1  
.XX ± .01  
.XXX ± .005  
XXXX ± .0010  
ANGLES ± .5°  
DO NOT SCALE DRAWING  
REMOVE ALL BURRS AND BREAK  
SHARP EDGES  
ALL MACH SURFACES √

INTERPRET DRAWING IN ACCORDANCE WITH DOD-STD-100, ANSI Y14.5M PROPERTY OF GSI LUMONICS THIS DOCUMENT IS AND SHALL REMAIN AN UNPUBLISHED WORK OF GSI LUMONICS PROTECTED BY COPYRIGHT. IS LOANED FOR LIMITED PURPOSES ONLY. REMAINS THE PROPERTY OF GSI LUMONICS, AND IS TO BE RETURNED UPON REQUEST. NEITHER IT NOR ANY OF THE INFORMATION IT CONTAINS WILL BE REPRODUCED, USED, OR DISCLOSED TO ANYONE NOT HAVING A NEED-TO-KNOW CONSISTENT WITH THE PURPOSE OF THE LOAN, WITHOUT WRITTEN CONSENT OF GSI LUMONICS.		UNLESS OTHERWISE SPECIFIED: DIMENSIONS ARE IN MILLIMETERS. TOLERANCES ARE: X ± 2.5 XX ± .5 XXX ± .25 XXXX ± .125 ANGLES ± .5° DO NOT SCALE DRAWING REMOVE ALL BURRS AND BREAK SHARP EDGES MACHINED SURFACES 1.6 MICRONS THIRD ANGLE PROJECTION	<b>Gsi Lumonics</b> COMPONENT PRODUCTS GROUP DRAWN: J. MARTIN 10-30-01 DESIGN ENG MFG ENG	15mm SCANHEAD, OUTLINE & INSTALLATION
SIZE: D SCALE: 1/1 CAD FILE NAME: 76315	CAGE CODE: 57246 DWG NO.: 7CD-76315 SHEET 1 OF 1	REV: B		